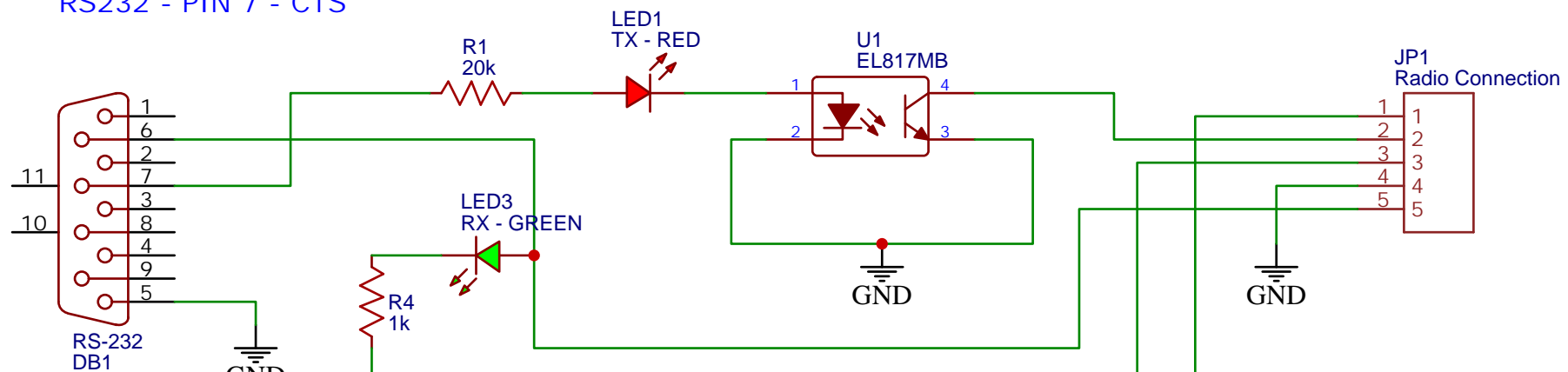
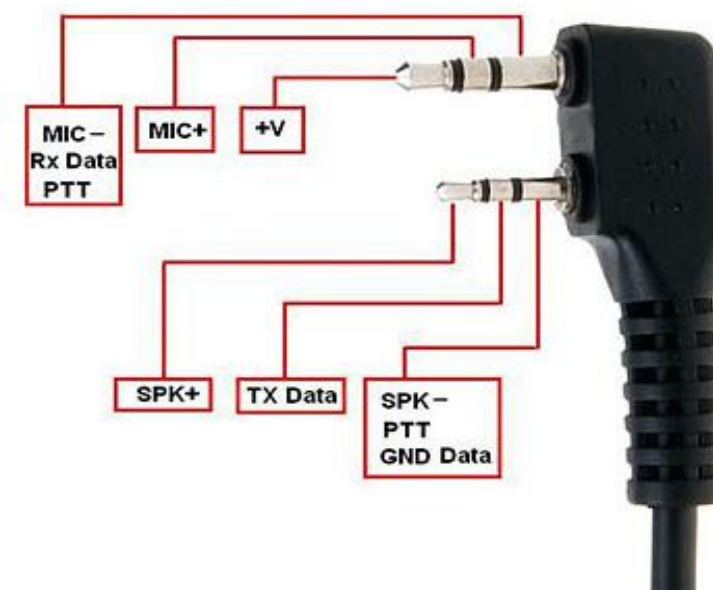


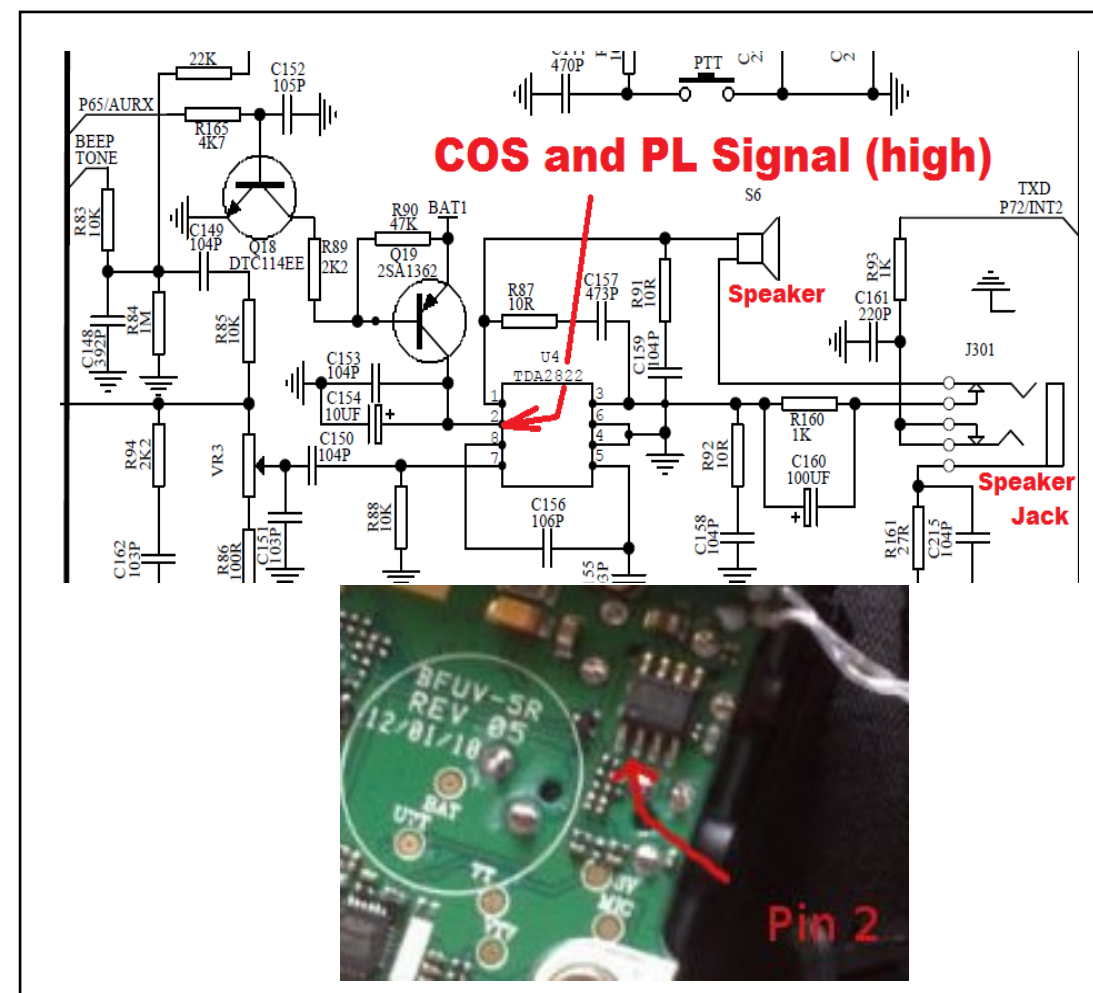
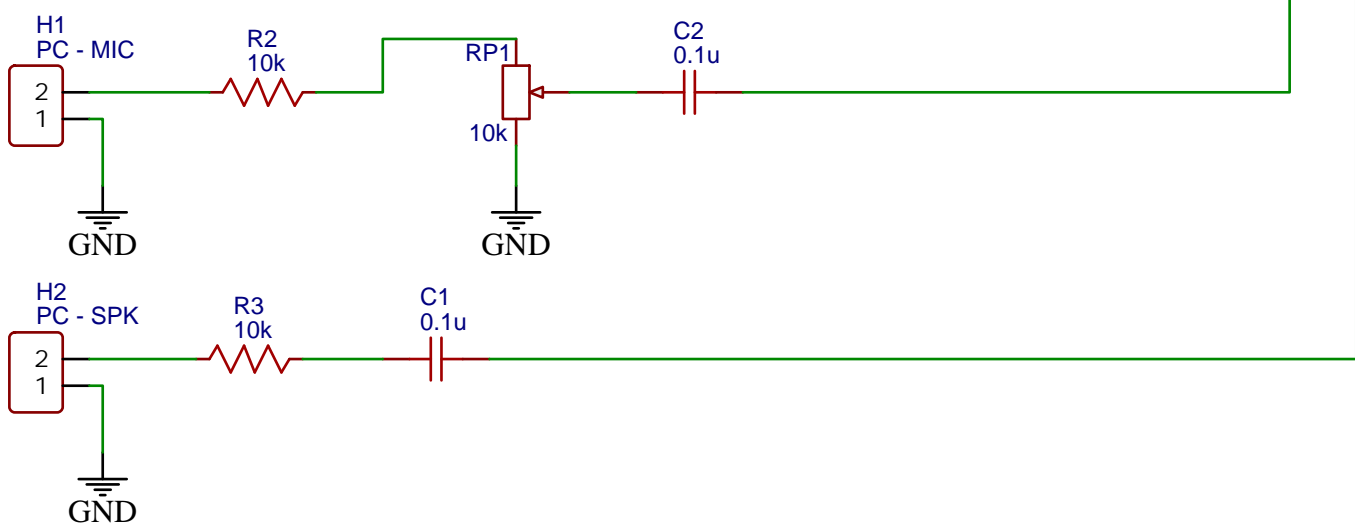
RS232 - PIN 5 - GND  
 RS232 - PIN 6 - DSR  
 RS232 - PIN 7 - CTS



PIN 1 - MIC +  
 PIN 2 - MIC/PTT -  
 PIN 3 - SPK +  
 PIN 4 - SPK/PTT +  
 PIN 5 - SOC



UV-5R COS Connection  
 Source : [http://k5nx.com/information/pi/Baofeng\\_UV5\\_radio\\_mods](http://k5nx.com/information/pi/Baofeng_UV5_radio_mods)



TITLE:	UV - 5R to PC	REV: 1.0
Company:	joaquim.org	Sheet: 1/1
Date:	2023-12-16	Drawn By: joaquimorg

