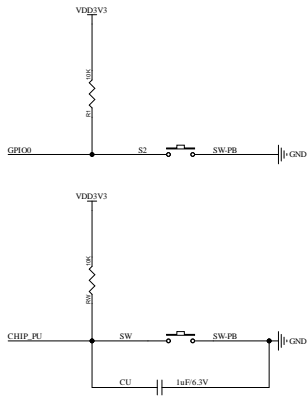
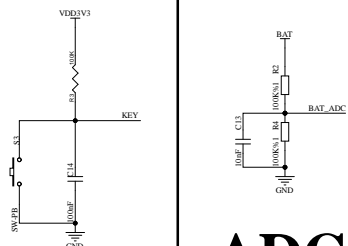


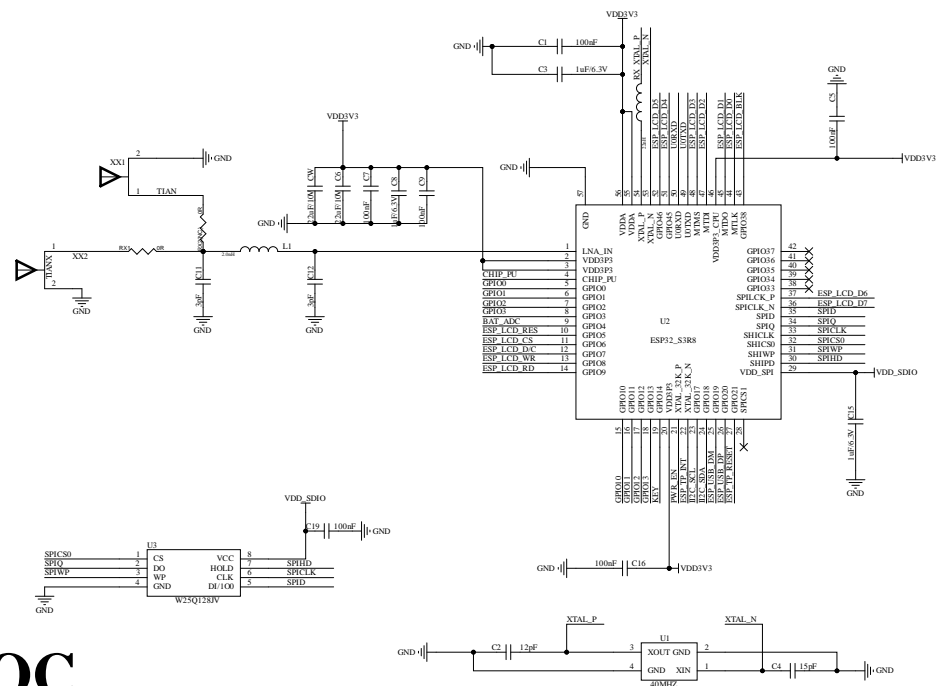
Button



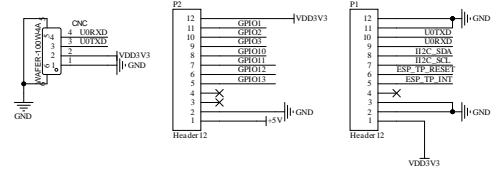
ADC



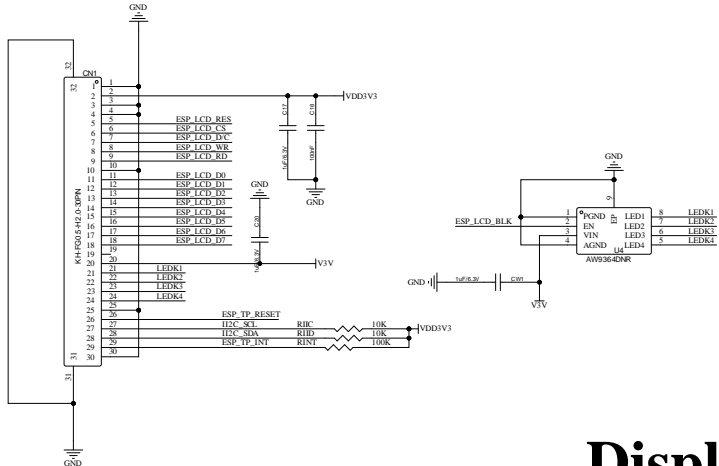
SOC



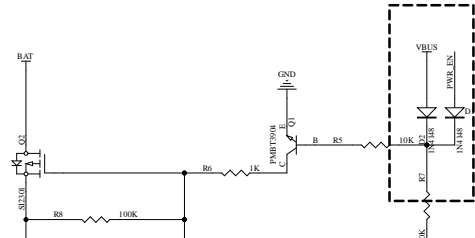
Battery power must set IO15 to HIGH



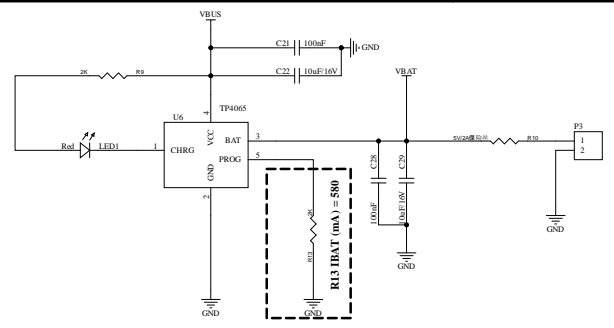
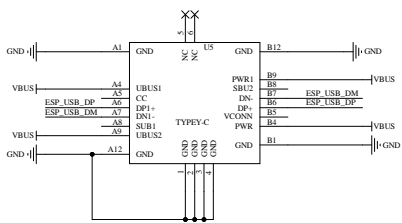
Display



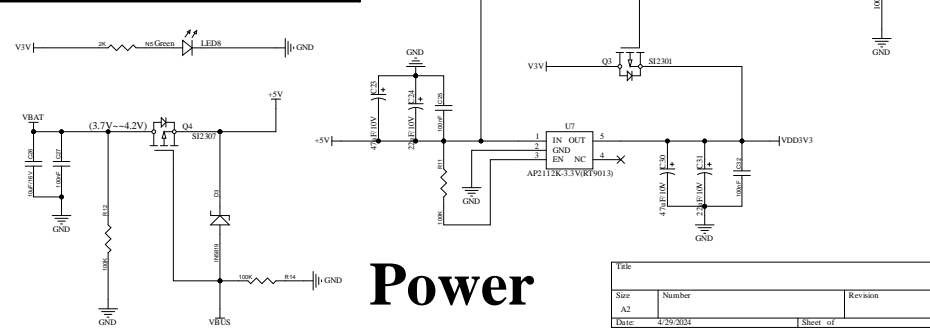
GPIO pin header



Charger



Power



File			
Size	Number	Revision	
A2	4292024	Sheet of	
Date	C:\Users\T_Duplay\S1\SchDoc	Drawn By:	